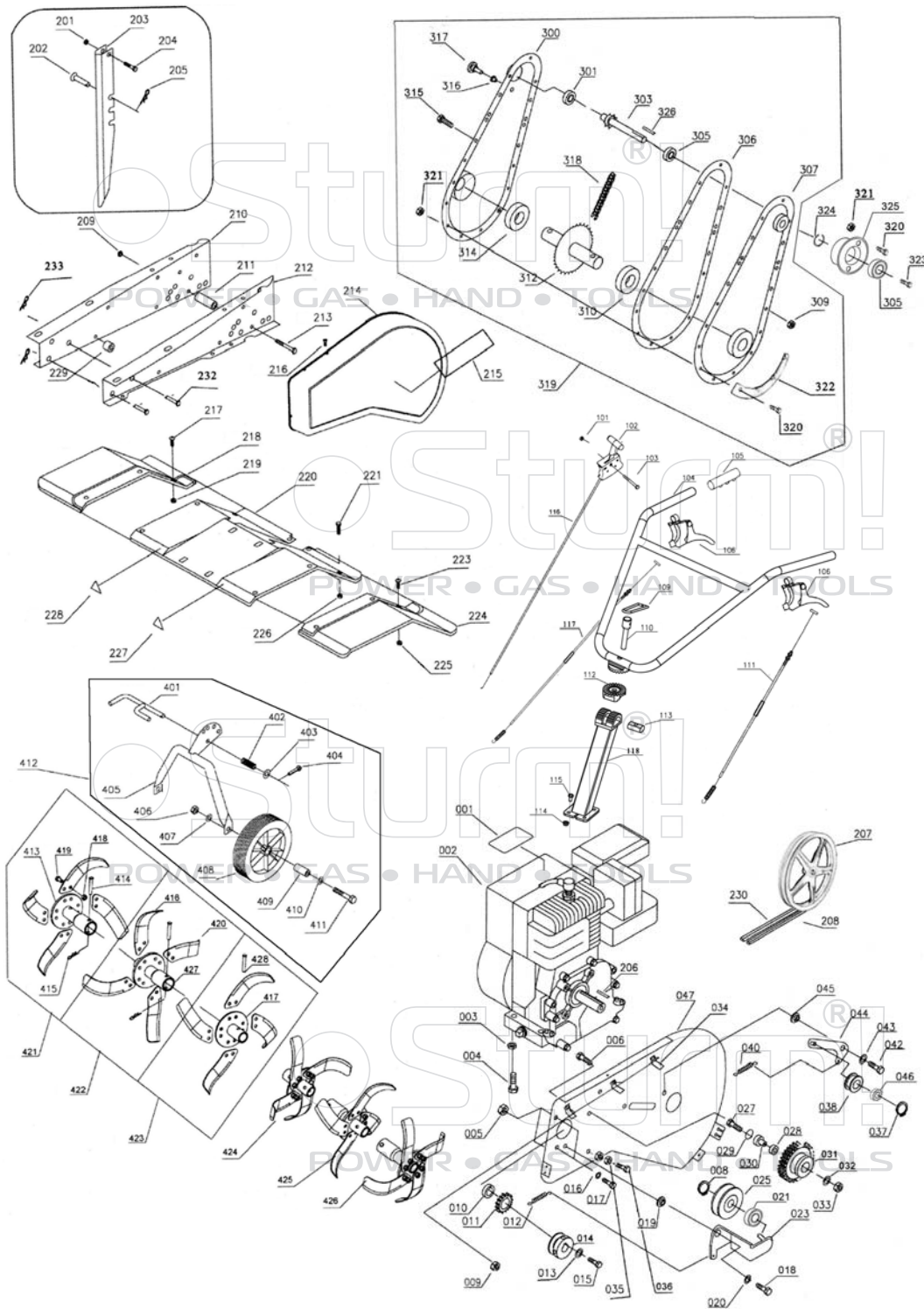
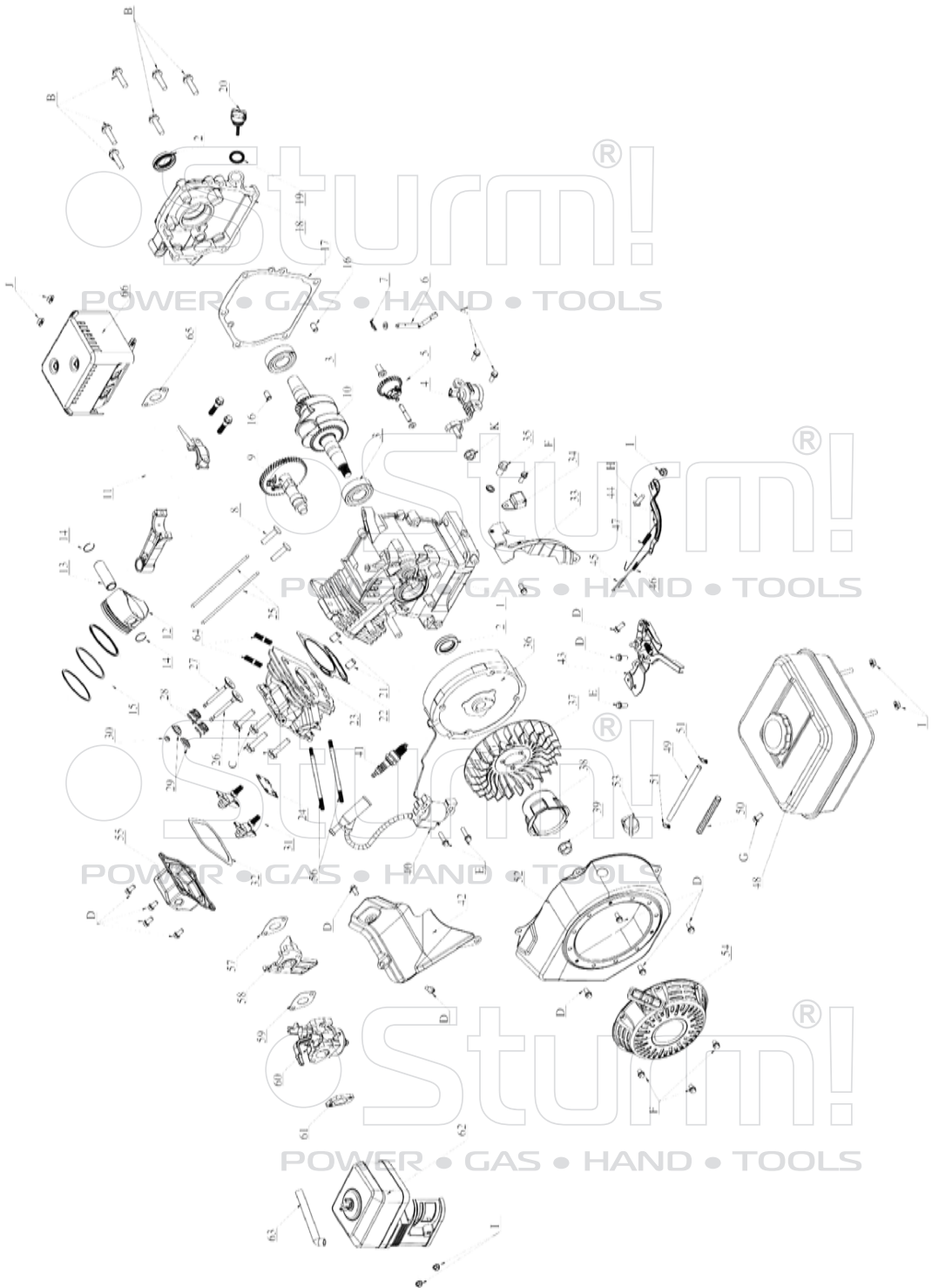


GK8360M



NO.	DESCRIPTION	NO.	DESCRIPTION	NO.	DESCRIPTION
001	WARNING LABEL	106	CLUTCH HANDLE	306	GASKET
002	ENGINE	109	STEEL SPRING	307	CASE LEFT
003	NUT	110	SCREW	309	NUT
004	SCREW	111	CLUTCH CABLE L	310	BEARING 6206
005	BUSHING	112	MIDDLE GEAR SET	312	SHAFT OUTER
006	SCREW	113	NUT	314	BEARING 6206
008	CIRCLIP	114	NUT	315	SCREW
009	NUT	115	SCREW	316	BUSING
010	WASHER	116	THROTTLE CABLE	317	PLUT
011	SPURGEAR	117	CLUTCH CABLE R	318	CHAIN
012	SPRING	118	ARMREST	319	CHAINE ASSEMBLY
013	WASHER	201	NUT	320	SCREW
014	PULLEY	202	COTTER BOLT	321	NUT
015	SCREW	203	DEPTH SKID	322	CAES PROT. COVER
016	WASHER	204	SCREW	323	SCREW
017	SCREW	205	COTTER PIN	324	CIRCLIP
018	SCREW	206	KEY	325	BEARING SEAT
019	BUSHING	207	PULLEY	326	KEY
020	WASHER	208	FORWARD BELT	401	LOCK
021	BEARING 6001	209	NUT	402	SPRING
023	CONSOL	210	MEMBER R	403	WASHER
024	BUSHING	211	BUSHING	404	PIN
025	IDLE PULLEY	212	MEMBER L	405	FORK
027	SCREW	213	SCREW	406	NUT
028	BEARING 6003	214	PROT. SHEET	407	WASHER
029	CIRCLIP	215	LABEL	408	WHEEL
030	BUSHING	216	SCREW	409	BUSHING
031	PULLEY	217	SCREW	410	WASHER
032	WASHER	218	OUTER SHEET R	411	SCREW
033	NUT	219	NUT	412	FORK ASSEMBLY
034	BELT CLAMP	220	SHEET	413	TUBE OUTER
035	NUT	221	SCREW	414	COTTER BOLT
036	SCREW	223	SCREW	415	COTTER PIN
037	CIRCLIP	224	OUTER SHEET L	416	BLADE L
038	IDLE PULLEY	225	NUT	417	TUBE INNER
040	SPRING	226	NUT	418	NUT
042	SCREW	227	WARNING MARK	419	SCREW
043	WASHER	228	WARNING MARK	420	BLADE R
044	REVERSE ARM	229	BUSHING	421	KNIVES R ASSEMBLY
045	BUSHING	230	REVERSE BELT	422	KNIVES R ASSEMBLY
046	BEARING 6008	232	COTTER BOLT	423	KNIVES R ASSEMBLY
047	REAR SHEET	233	COTTER PIN	424	KNIVES L ASSEMBLY
101	NUT	300	CASE RIGHT	425	KNIVES L ASSEMBLY
102	THROTTLE CONTROL	301	BEARING 6003	426	KNIVES L ASSEMBLY
103	SCREW	303	SHAFT INNER	427	TUBE OUTER
104	HANDLE BLACK	305	BEARING 6003	428	COTTER BOLT
105	PLAST GRIP				

Engine for GK8360M



NO.	DESCRIPTION	NO.	DESCRIPTION
1	CRANKCASE ASSY	40	IGNITION WINDING
2	OIL SEAL Ø25XØ41.5X6	41	SPARK PLUG F7RTC
3	BEARING 6205	42	COVER
4	OIL SENSOR	43	GOVERNOR ASSEMBLY
5	ADJUSTING GEAR COMPONENTS	44	GOVERNOR ARM
6	GOVERNOR ARM SHAFT	45	GOVERNOR ROD
7	SHAFT BOLT	46	MINI-ADJUSTOR SPRING
8	LIFTER	47	RETURN SPRING
9	CAMSHAFT COMPONENTS	48	FUEL TANK COMPONENTS
10	CRANKSHAFT	49	VITTA
11	ROD	50	VITTA HEAT INSULATOR
12	PISTON	51	VITTA NIP
13	PISTON PIN	52	FAN COVER
14	PISTON PIN CLOSING RING	53	RECOIL STARTER SWITCH COMPONENTS
15	PISTON RING COMPONENTS	54	RECOIL STARTER PARTS
16	POSITION PIN Ø8X14	55	CYLINDER HEAD COVER COMPONENTS
17	GASKET	56	INTAKE MOUTH STUD BOLT M8X32
18	CRANKCASE COVER	57	INTAKE MOUTH GASKET
19	"O" RING Ø18X3	58	HEAT INSULATION BOARD
20	OIL FILLER	59	CARBURETOR GASKET
21	POSITION PIN Ø 10X16	60	CARBURETOR COMPONENTS
22	CYLINDER HEAD GASKET	61	AIR CLEANER IRON GASKET
23	CYLINDER HEAD COMPONENTS	62	AIR CLEANER COMPONENTS
24	PUSHER SUPPORT	63	WASTE GAS PIPE
25	PUSH ROD	64	EXHAUST MOUTH STUD BOLT M8X32
26	INTAKE VALVE	65	EXHAUST MOUTH GASKET
27	EXHAUST VALVE	66	MUFFLER COMPONENTS
28	INTAKE VALVE SPRING	A	FLANGE BOLT M6X14
29	INTAKE VALVE SPRING RETAINER	B	FLANGE BOLT M8X32
30	VALVE ROTATOR	C	FLANGE BOLT M8X60
31	VALVE ROTATOR ARM	D	FLANGE BOLT M6X12
32	CYLINDER COVER GASKET	E	FLANGE BOLT M6X22
33	SIDE PLATE	F	FLANGE BOLT M6X8
34	SINGLE DIRECTION CONNECTOR	G	FLANGE BOLT M6X25
35	DRAIN SCREW PLUG M10X1.25	H	SQUARE BOLT (SPECIALLY MADE) M6X21
36	FLYWHEEL PARTS	I	NUT M6
37	FLYWHEEL FAN	J	NUT M8
38	RECOIL STARTER	K	NUT M10
39	FLYWHEEL NUT M14X1.5		

ST20141124

